



Terex Lifting Australia Pty. Ltd.

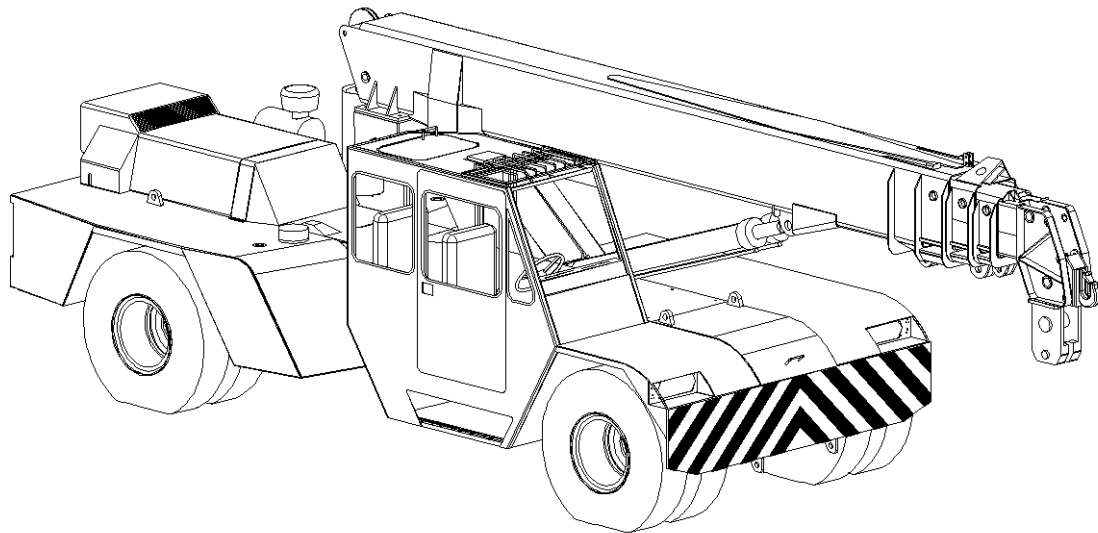
RATED CAPACITY MANUAL

MODEL MAC 25

16.6t REAR AXLE WEIGHT
BOOK PART NUMBER MXC1347B

HYDRAULIC ALL TERRAIN PICK & CARRY CRANE

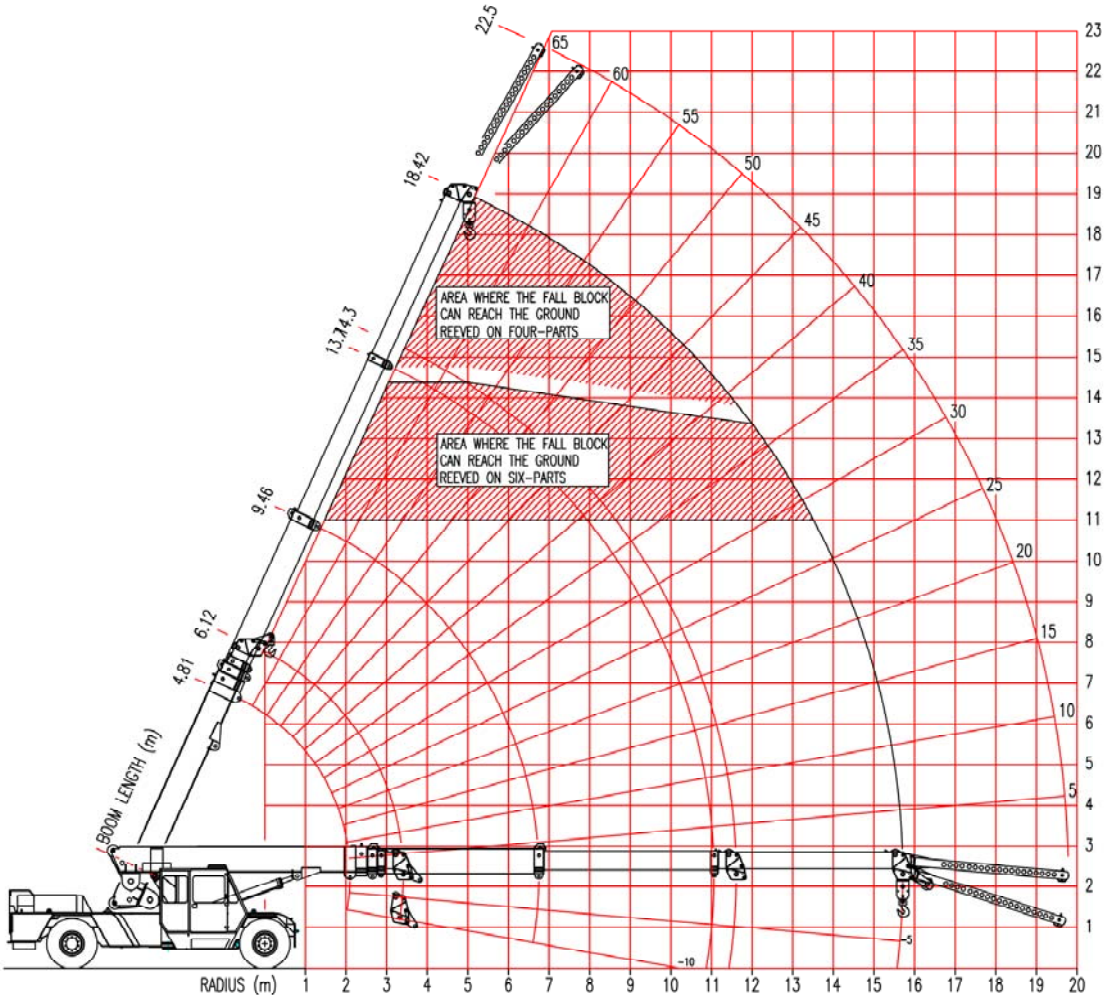
25 TONNE MAXIMUM RATED CAPACITY



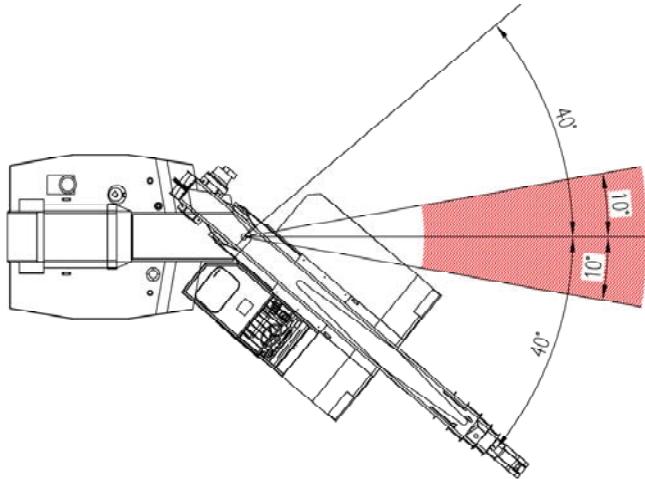
Do not operate this crane unless you have read and understood the information in this book.

SECTION 2 - OPERATIONS

RANGE DIAGRAM



WORKING AREA DIAGRAM



MAC-25 FALL BLOCK LOAD CHART - 10 DEG. ART.

LMI DUTY

301

STANDARD 1500 KG COUNTERWEIGHT (PLMXF2009) + EXTRA 2160 KG COUNTERWEIGHT (PLMXF2019-) ON REAR OF CRANE - SPRING LOCKOUTS ENGAGED



RC IN KILOGRAMS FOR SLEW ANGLES OF 10 DEGREES OR LESS EITHER

RC ABOVE BOLD RED LINE ARE STRUCTURAL



SIDE OF STRAIGHT AHEAD (INDICATED BY GREEN LED ON DASH).

RC ARE BASED ON FIRM LEVEL GROUND (1% SLOPE (0.6 DEG) AS PER AS1418.5)

BOOM ANGLE - UNDEFLECTED (REF.)

WITH TYRES INFLATED AS PER NOTES

NOTE : VALUES IN BRACKETS () ARE ACTUAL RADIUS AT ZERO DEG. BOOM ANGLE.

LIFT & CARRY - THE RC SHALL BE CARRIED WITH THE MINIMUM BOOM LENGTH & AS

RC ARE BASED ON 66.6% STABILITY & STRENGTH

CLOSE TO THE GROUND AS POSSIBLE AT SPEEDS NOT IN EXCESS OF 0.4 m/s (1.44 km/h)

Radius in Metres	BOOM PIVOT TO HEAD SHEAVES - THIRD BOOM RETRACTED (metres)														THIRD BOOM EXTENDING (metres)												
	6.12	6.50	7.00	7.50	8.00	8.50	9.00	9.50	10.00	10.50	11.00	11.50	12.00	12.50	13.00	13.50	14.32	14.50	15.00	15.50	16.00	16.50	17.00	17.50	18.00	18.42	
1.4	25000	25000	25000	25000	25000	25000	25000	25000																			
	48	51	54	57	59	61	63	65																			
2.0	23400	23400	23250	23350	23350	23300	23300	23300	23250	22150	19300																
	40	44	48	51	54	57	59	61	62	64	65																
2.5	21450	21400	21350	21350	21300	21250	21200	21200	20450	17750	15550	14600															
	32	37	42	46	50	52	55	57	59	61	62	63	65														
3.0	17600	17600	17600	17550	17500	17500	17450	17450	17400	17400	16500	14350	13500	13000	12600	12250											
	21	29	35	41	45	48	51	53	55	57	59	61	62	63	64	65											
3.5	15250	14850	14850	14850	14800	14800	14750	14750	14700	14700	14700	13350	12600	12150	11750	11400	10850	10750									
	(3.4)	17	28	34	39	43	47	49	52	54	56	58	59	61	62	63	65	65									
4.0		13600	12800	12800	12800	12750	12750	12750	12700	12700	12700	12550	11750	11350	10950	10600	10100	10050	9850	9650							
		(3.8)	17	27	33	38	42	45	48	51	53	55	56	58	59	61	62	63	64	65							
5.0			11800	10400	9900	9900	9900	9900	9900	9850	9850	9850	9850	9800	9650	9350	8900	8800	8650	8500	8400	8250	8150	8000	7900		
			(4.3)	(4.8)	16	25	31	36	40	43	46	48	50	52	54	56	58	58	59	61	62	63	63	64	65		
6.0					9250	8300	8000	8000	8000	8000	7950	7950	7950	7950	7950	7900	7900	7900	7900	7750	7600	7450	7350	7200	7100	7000	6950
					(5.3)	(5.8)	15	24	30	34	38	41	44	46	48	50	53	53	55	56	57	58	60	61	61	62	62
7.0							7500	6850	6600	6600	6600	6600	6600	6600	6600	6600	6550	6600	6600	6650	6700	6600	6500	6400	6300	6250	
							(6.3)	(6.8)	14	23	28	33	36	39	42	44	48	48	50	52	53	54	56	57	58	59	
8.0									6250	5750	5600	5600	5600	5600	5550	5550	5550	5550	5600	5650	5700	5700	5750	5800	5700	5650	
									(7.3)	(7.8)	13	22	27	31	35	38	42	43	45	47	48	50	51	53	54	55	
9.0											5300	4900	4800	4800	4800	4800	4750	4800	4850	4850	4900	4950	4950	5000	5000	5050	
											(8.3)	(8.8)	13	21	26	30	35	36	39	41	43	45	47	48	50	51	
10												4550	4250	4150	4150	4150	4150	4150	4200	4250	4250	4300	4350	4400	4400		
												(9.3)	(9.8)	12	20	28	29	32	35	38	40	42	44	45	47		
11															3950	3700	3600	3650	3700	3700	3750	3800	3800	3850	3850	3900	
															(10.3)	(10.8)	17	19	24	28	31	34	37	39	41	42	
12																	3350	3250	3250	3300	3300	3350	3400	3400	3450	3450	
																	(11.6)	(11.8)	12	19	23	27	30	33	36	37	
13																			3100	2950	2950	3000	3000	3050	3050	3100	
																			(12.3)	(12.8)	11	18	23	27	30	32	
14																					2850	2700	2700	2700	2750	2750	
																					(13.3)	(13.8)	11	18	22	25	
15																							2600	2500	2450	2500	
																							(14.3)	(14.8)	10	16	
15.71																									2400	2300	
																									(15.3)	(15.7)	